



Technical Data Sheet

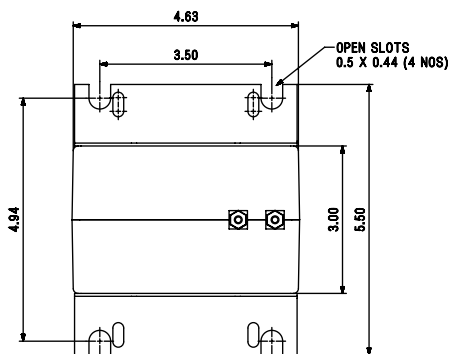
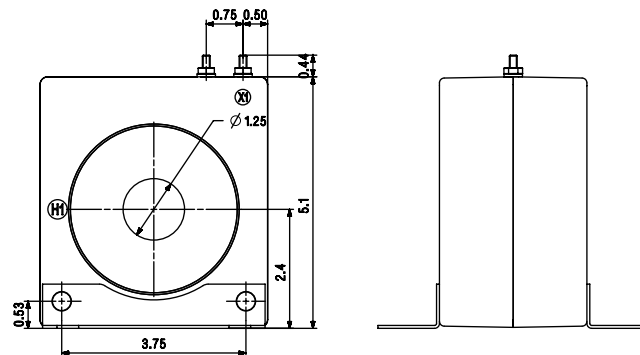
*Omega ANSI  
Current Transformer Series*



*Omega 30  
21ASHT, 22ASHT, 23ASHT,  
24ASHT, 25ASHT*



**Omega 30 - 21ASHT**

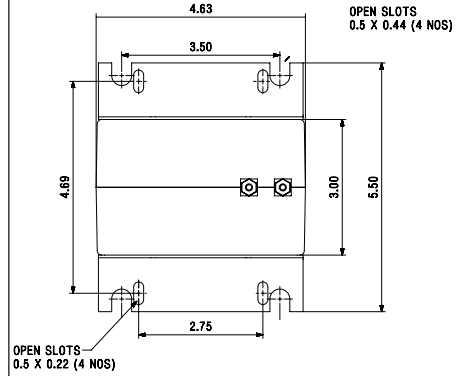
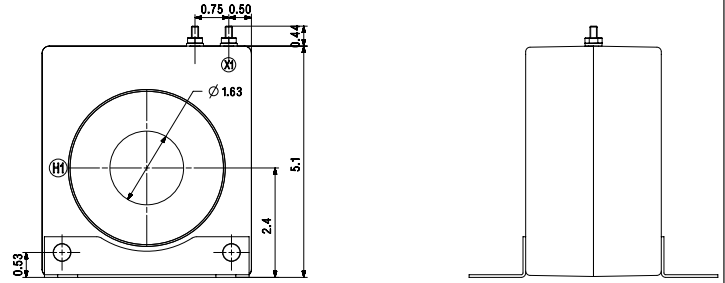


\*All the mentioned dimensions are in inches

Current Ratio	Relay Class	ANSI METERING CLASS @ 60HZ					SECONDARY WINDING RESISTANCE (OHMS @ 75 °C)	Cont. Thermal RF	
		B0.1	B0.2	B0.5	B0.9	B1.8		@30 °C	@55 °C
50:5	-	1.2	2.4	-	-	-	0.026	2.0	2.0
75:5	C10	0.6	1.2	2.4	4.8	-	0.042	2.0	2.0
100:5	C10	0.6	1.2	1.2	2.4	4.8	0.063	2.0	2.0
150:5	C20	0.3	0.6	0.6	1.2	2.4	0.098	2.0	1.5
200:5	C20	0.3	0.3	0.6	0.6	1.2	0.126	2.0	1.5
250:5	C20	0.3	0.3	0.3	0.6	1.2	0.158	1.5	1.5
300:5	C20	0.3	0.3	0.3	0.3	0.3	0.168	1.5	1.33
400:5	C50	0.3	0.3	0.3	0.3	0.3	0.253	1.5	1.0
500:5	C20	0.3	0.3	0.3	0.3	0.6	0.283	1.5	1.0
600:5	C50	0.3	0.3	0.3	0.3	0.3	0.339	1.33	1.0
750:5	C50	0.3	0.3	0.3	0.3	0.3	0.424	1.0	0.8
800:5	C50	0.3	0.3	0.3	0.3	0.3	0.452	1.0	0.8
1000:5	C100	0.3	0.3	0.3	0.3	0.3	0.565	1.0	0.8

Approximate weight: 10 lbs.

**Omega 30 - 22ASHT**

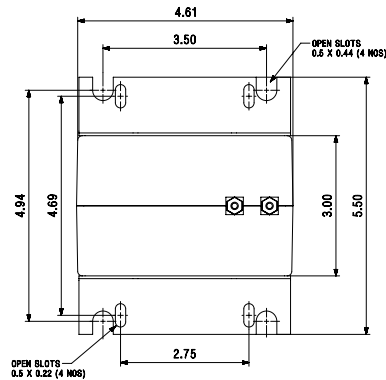
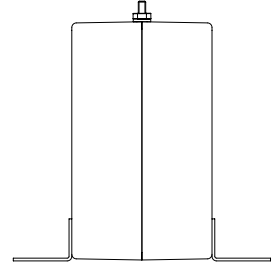
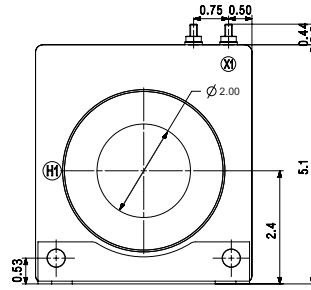


\*All the mentioned dimensions are in inches

Current Ratio	Relay Class	ANSI METERING CLASS @ 60HZ					SECONDARY WINDING RESISTANCE (OHMS @ 75 °C)	Cont. Thermal RF	
		B0.1	B0.2	B0.5	B0.9	B1.8		@30°C	@55 °C
100:5	C10	0.6	1.2	2.4	2.4	4.8	0.060	2.0	2.0
150:5	C10	0.3	0.6	1.2	1.2	2.4	0.090	2.0	2.0
200:5	C20	0.3	0.3	0.6	1.2	1.2	0.120	2.0	1.5
250:5	C20	0.3	0.3	0.6	0.6	1.2	0.150	1.5	1.5
300:5	C20	0.3	0.3	0.3	0.6	0.6	0.180	1.5	1.33
400:5	C20	0.3	0.3	0.3	0.3	0.6	0.241	1.5	1.0
500:5	C50	0.3	0.3	0.3	0.3	0.3	0.301	1.5	1.0

Approximate weight: 9 lbs.

**Omega 30 - 23ASHT**

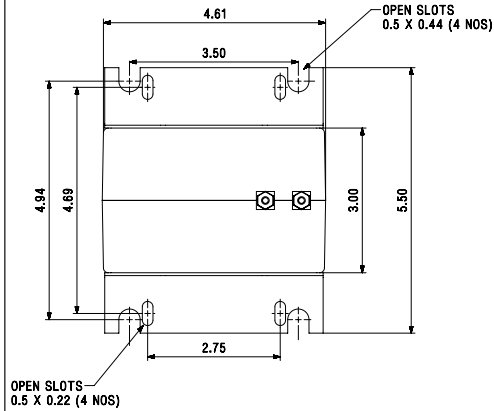
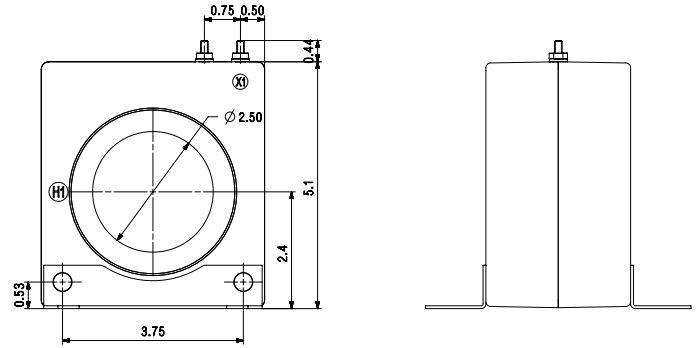
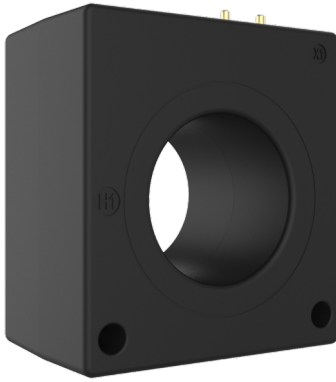


\*All the mentioned dimensions are in inches

Current Ratio	Relay Class	ANSI METERING CLASS @ 60HZ					SECONDARY WINDING RESISTANCE (OHMS @ 75 °C)	Cont. Thermal RF	
		B0.1	B0.2	B0.5	B0.9	B1.8		@30 °C	@55 °C
100:5	-	0.6	0.6	2.4	4.8	-	0.051	2.0	2.0
150:5	C10	0.6	0.6	0.6	1.2	2.4	0.076	2.0	2.0
200:5	C10	0.3	0.6	0.6	1.2	2.4	0.114	2.0	1.5
250:5	C20	0.3	0.3	0.6	0.6	1.2	0.143	2.0	1.5
300:5	C20	0.3	0.3	0.3	0.6	1.2	0.171	1.5	1.33
400:5	C20	0.3	0.3	0.3	0.3	0.8	0.228	1.5	1.0
500:5	C20	0.3	0.3	0.3	0.3	0.3	0.288	1.5	1.0
600:5	C50	0.3	0.3	0.3	0.3	0.3	0.343	1.33	1.0

Approximate weight: 8.5 lbs.

## Omega 30 - 24ASHT

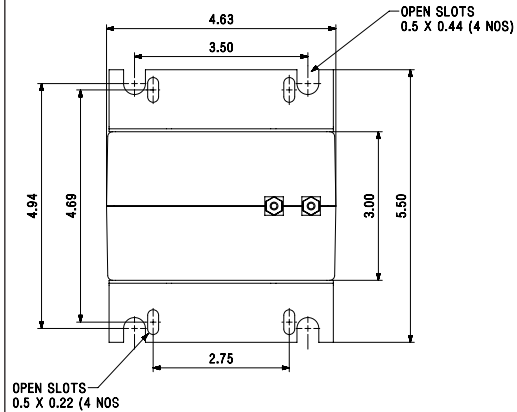
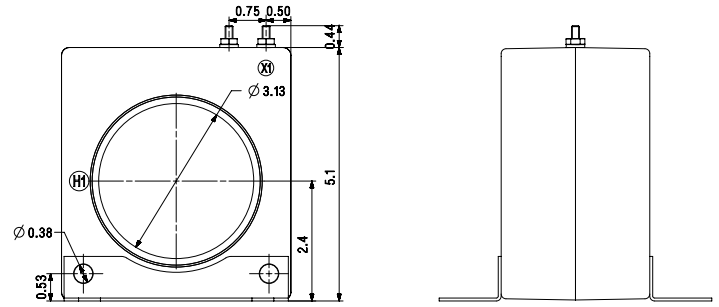


\*All the mentioned dimensions are in inches

Current Ratio	Relay Class	ANSI METERING CLASS @ 60HZ					SECONDARY WINDING RESISTANCE (OHMS @ 75 °C)	Cont. Thermal RF	
		B0.1	B0.2	B0.5	B0.9	B1.8		@30 °C	@55 °C
100:5	-	0.6	1.2	2.4	4.8	-	0.046	2.0	2.0
150:5	-	0.6	0.6	1.2	2.4	4.8	0.069	2.0	2.0
200:5	C10	0.3	0.3	0.6	1.2	2.4	0.096	2.0	1.5
250:5	C10	0.3	0.3	0.3	0.6	1.2	0.118	2.0	1.5
300:5	C10	0.3	0.3	0.3	0.6	1.2	0.133	2.0	1.5
400:5	C20	0.3	0.3	0.3	0.6	0.6	0.212	1.5	1.0
500:5	C20	0.3	0.3	0.3	0.3	0.6	0.265	1.5	1.0
600:5	C20	0.3	0.3	0.3	0.3	0.3	0.317	1.33	1.0
700:5	C20	0.3	0.3	0.3	0.3	0.3	0.396	1.0	1.0
800:5	C20	0.3	0.3	0.3	0.3	0.3	0.423	1.0	0.8
1000:5	C10	0.3	0.3	0.3	0.3	0.3	0.446	1.0	0.8
1200:5	C10	0.3	0.3	0.3	0.3	0.3	0.535	1.0	0.8
1500:5	C10	0.3	0.3	0.3	0.3	0.3	0.669	1.0	0.8
1600:5	C10	0.3	0.3	0.3	0.3	0.3	0.713	0.8	0.8

Approximate weight: 6.5 lbs.

**Omega 30 - 25ASHT**



\*All the mentioned dimensions are in inches

Current Ratio	VA @ ± 1% Class	ANSI METERING CLASS @ 60HZ					SECONDARY WINDING RESISTANCE (OHMS @ 75 °C)	Cont. Thermal RF	
		B0.1	B0.2	B0.5	B0.9	B1.8		@30 °C	@55 °C
200:5	10	0.6	0.6	1.2	2.4	4.8	0.081	2.0	2.0
250:5	15	0.3	0.3	1.2	1.2	2.4	0.108	2.0	1.5
300:5	20	0.3	0.3	0.6	1.2	2.4	0.129	2.0	1.5
400:5	30	0.3	0.3	0.6	0.6	1.2	0.194	1.5	1.33
500:5	45	0.3	0.3	0.3	0.6	1.2	0.243	1.5	1.0
600:5	60	0.3	0.3	0.3	0.3	0.6	0.292	1.33	1.0
750:5	75	0.3	0.3	0.3	0.3	0.6	0.364	1.0	0.8
800:5	80	0.3	0.3	0.3	0.3	0.3	0.389	1.0	0.8
1000:5	100	0.3	0.3	0.3	0.3	0.3	0.486	1.0	0.8
1200:5	75	0.3	0.3	0.3	0.3	0.3	0.389	1.0	0.8
1500:5	90	0.3	0.3	0.3	0.3	0.3	0.617	1.0	0.8
1600:5	95	0.3	0.3	0.3	0.3	0.3	0.658	1.0	0.6
2000:5	100	0.3	0.3	0.3	0.3	0.3	0.822	0.8	0.6

Approximate weight: 5.5 lbs.

**Omega 30 - 21ASHT, 22ASHT, 23ASHT,  
24ASHT, 25ASHT**

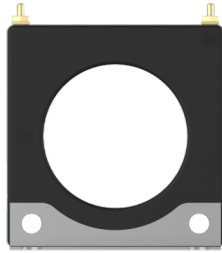
## Specification

- FREQUENCY : 50 -400 Hz
- INSULATION LEVEL : 600 Volts. 10kV BIL. full wave
- WINDOW : 1.25", 1.63", 2.00", 2.50", 3.13"
- APROXIMATE WEIGHT : 10, 9.0, 8.5, 6.5, 5.5lbs
- CONNECTIONS :
- -Terminals are brass studs No. 8-32 UNC with one flat washer, lockwasher, and regular nut
- - Mounting kit (On Request)

## Application

- APPLICATION : Relaying and Metering

## Product Mounting Kit

Sr No	Model Name	Item Code	Actual Product
1	21-25	XA21-0A00-0029	

---

**Sifam Tinsley Instrumentation Inc.**

**Address:** 2105 Barrett Park Dr, Unit 105, Kennesaw, GA 30144

**Tel.:** 800-879-6171 | **E-mail:** [info@sifamtinsley.com](mailto:info@sifamtinsley.com) | **Web:** [www.sifamtinsley.com](http://www.sifamtinsley.com)

---